

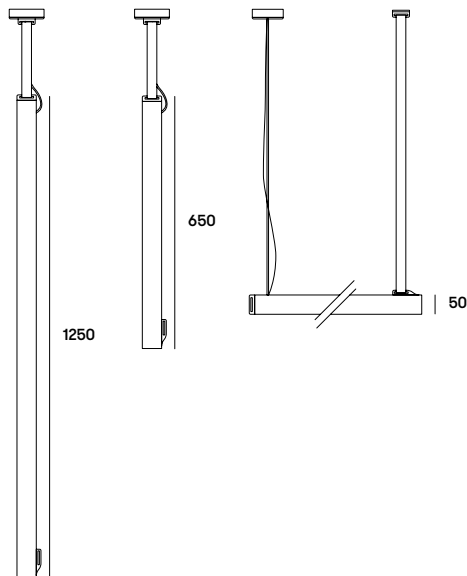
design: Erika Baffico, Sebastiano Tonelli
production: 2019



Stylized and minimalist lines are Ida's distinctive features. The suspension lamp comprises an extruded and satin-finished glass cylinder, with two coloured metal inserts at the ends, which support the LED inside and create colour-blur effects on the sides.

The special nylon webbing that supports the lamp through an eyelet makes this piece particularly versatile, since the light can be made to beam horizontally or vertically. The outline produced by the two orientations broadly and dynamically illuminates a space, adapting to different environments.

technical details



type:
pendant

environment:
interiors

materials:
glass, metal, nylon

light source:
Led Tube 600 mm 9W / G13 / 4000K
Led Tube 1200 mm 18W / G13 / 4000K
voltage 220-240V / 50HZ
not dimmable

sizes:
ø 50 × 650 mm / ø 50 × 1250 mm

weight:
1.8 kg / 2.5 kg

colours:

● midnight blue

● forest green

● fire red